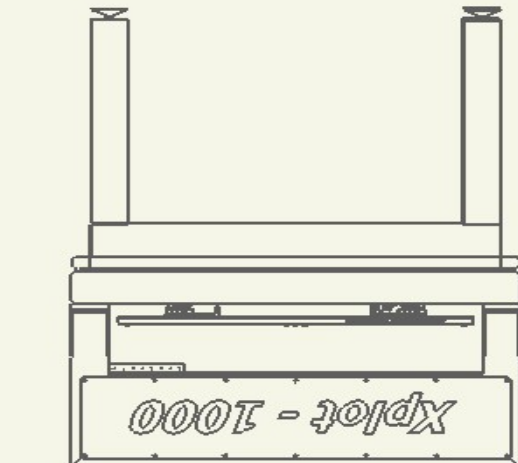
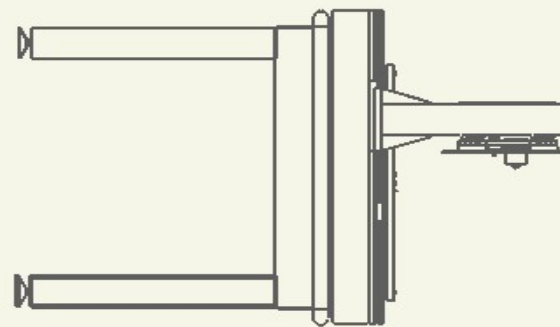
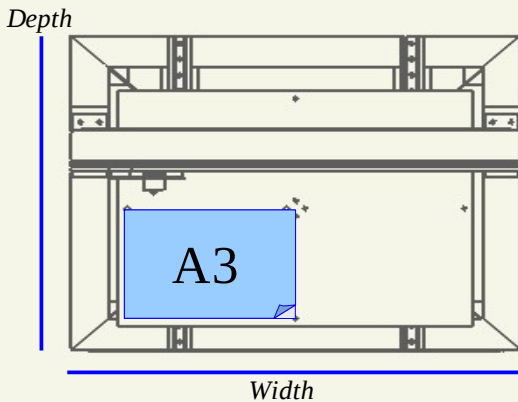
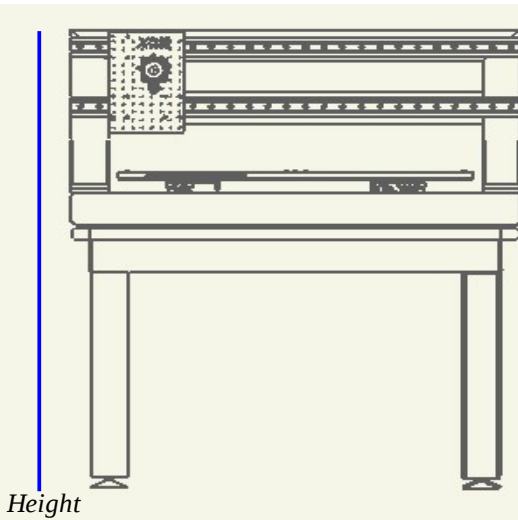
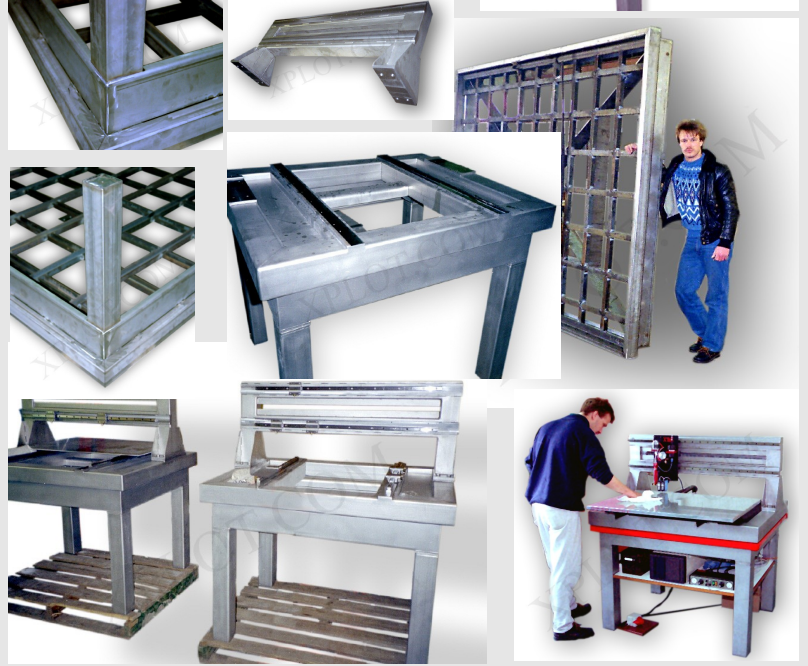


CONSTRUCTION

- Precision Stainless Steel Constructions
- Laser-cut Tubes & sheet metal
- CNC-folded and TIG-welded
- Heat Treated (optional) & Glass Blasted
- CNC-machined mounting surfaces



DIMENSIONS

Dimensions, mm (Width, Depth, Height)	W 1200 D 1000 H 1450
Weight, kg	275

Electrical

CE Low Voltage directive applies	12 – 48 VDC @ 6 A power supply
Optically Isolated Interface	EPP – IEEE standard Printer Cable